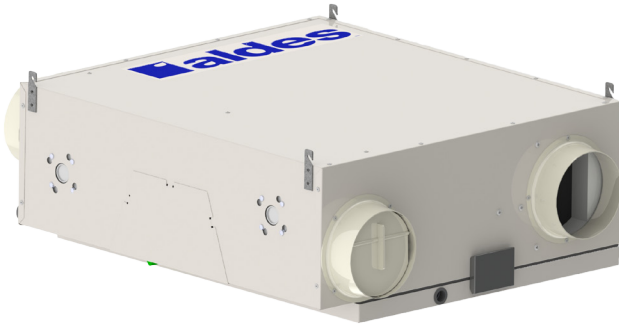




AEROMATIC™ SERIES STANDARD RESIDENTIAL H130-HR Heat Recovery Ventilator

PRODUCT
SPECIFICATIONS
& TECHNICAL
DATA



PRODUCT DESCRIPTION

Compact size, large performance – the Aeromatic™ Series H130-HR heat recovery ventilator produces approximately **121 CFM** at 0.20 in.w.g (ESP) and recovers heat through its high-efficiency polypropylene core. The H130-HR has been thoughtfully engineered for simple installation in apartments, condos, and other multi-dwelling applications. At a mere 9-1/4" tall, the unit fits easily into low spaces.

The H130-HR has two exclusive features. EvacMAX™ provides on-demand boost for maximum ventilation. With FLEXControl, airflow circuits can be calibrated electronically, eliminating the need for resistance-inducing balancing dampers and improving overall efficiency.

KEY FEATURES

- Electronically and independently adjustable supply and exhaust blowers (FLEXControl)
- Forward-inclined impellers on totally enclosed motors
- Horizontal configuration for flexible installation
- Easy access to core and filters for cleaning
- Extremely durable core
- Multiple low-voltage controller options

WARRANTY

Core Assembly: Limited lifetime warranty

All Other Covered Components: Limited 5-year warranty

APPROVALS

Meets Standards:

- C22.2 no113 and UL 1812



CASING

Material: Pre-painted 24-gauge galvanized steel
Drain Connection: Ø 3/8" (Ø 10 mm)
Duct Diameter: Ø 5" (Ø 127 mm)
Insulation: 1" (25 mm) Fiberglass with FSK and polystyrene
Width: 24-1/8" (613 mm)
Height: 9-1/4" (235 mm)
Depth: 22-1/4" (565 mm)
Weight: 35 lbs (16 kg); Shipping Weight: 41 lbs (19 kg)
Supply Damper: Motorized; Exhaust Damper: Gravity

MOUNTING

- Suspended from the ceiling by chains with vibration-isolating springs
- In the ceiling with an access panel

RECOVERY CORE

Material: Polypropylene

BLOWERS

Quantity: 2

Type: Motorized impellers (forward-inclined)

ELECTRICAL REQUIREMENTS

120 VAC, 60 Hz, 1.6 A, 180 W

Cord Set: 27" (686 mm) with ground

CONTROLS

Low voltage dry contact (24VAC) for:

- LCD Electronic Multifunction Control (P/N: 611227)
- Mode Control (Recirculation) (P/N: 611230)
- Humidity Control (P/N: 611224)
- Speed Control (Low/Intermittent/High) (P/N: 611229)
- 20/40/60 Minute Timer (P/N: 611228)

FROST CONTROL

- Automatic timed recirculation
- Cycles controlled by a temperature sensor when the outdoor temperature drops below 23°F (-5°C)

FILTERS

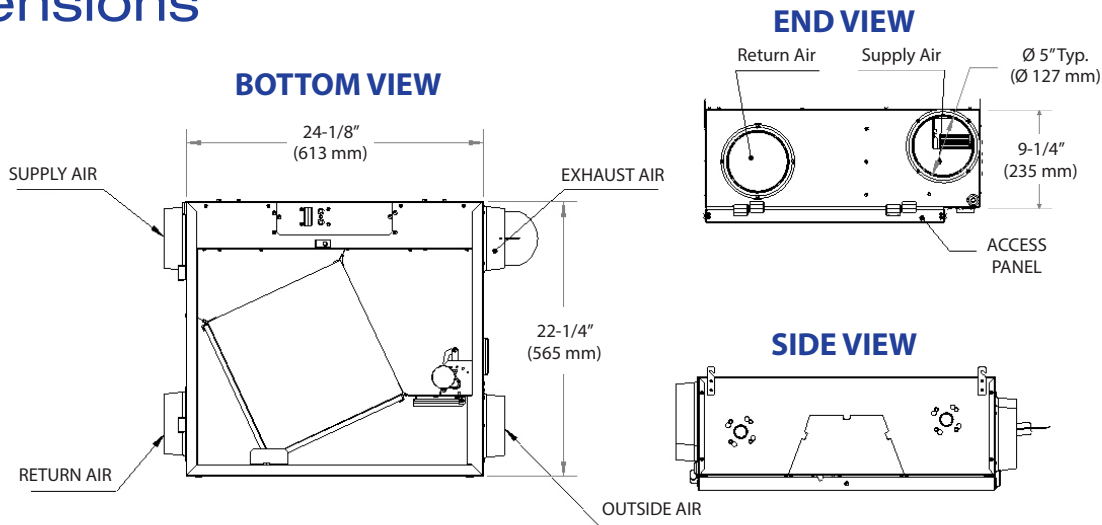
Quantity: 2

Type: Washable Foam 20 ppi (P/N: 612405)

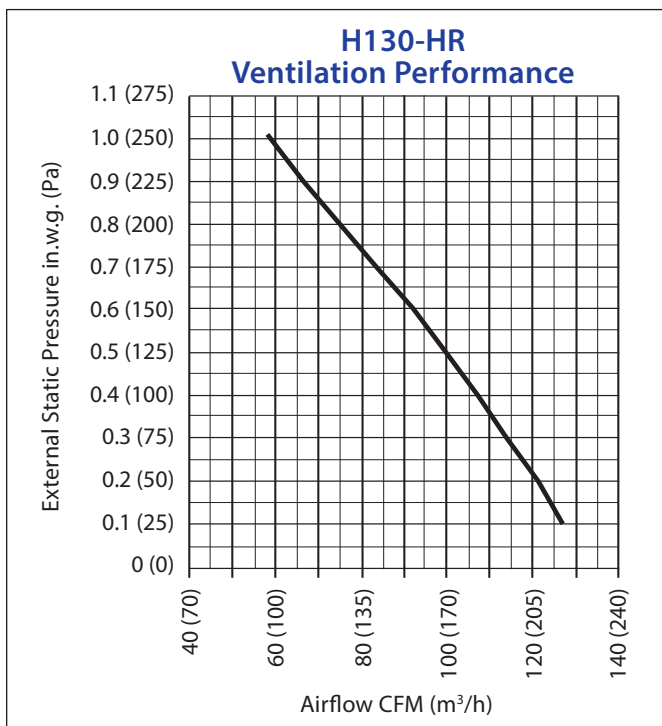
Optional: Aluminum (P/N: 612404), Carbon (P/N: 612406), or

High Efficiency/MERV13 Equivalent (P/N: 612407)

Dimensions



Performance



Recovery Performance						
Supply Temperature		Net Airflow		Power Consumed (W)	Sensible Recovery Efficiency	Apparent Sensible Effectiveness
°F	°C	CFM	L/s			
32	0	57	27	66	67%	78%
32	0	67	32	74	66%	77%
32	0	104	49	146	60%	71%
-13	-25	64	30	73	55%	75%

Project:		Architect:	
Location:		Engineer:	
Model #:		Contractor:	
Quantity:		Comments:	
Submitted By:			
Date:			

2014 ALDES Canada. Reproduction or distribution, in whole or in part, of this document, in any form or by any means, without the express written consent of ALDES Canada, is strictly prohibited. The information contained within this document is subject to change without prior written notice.